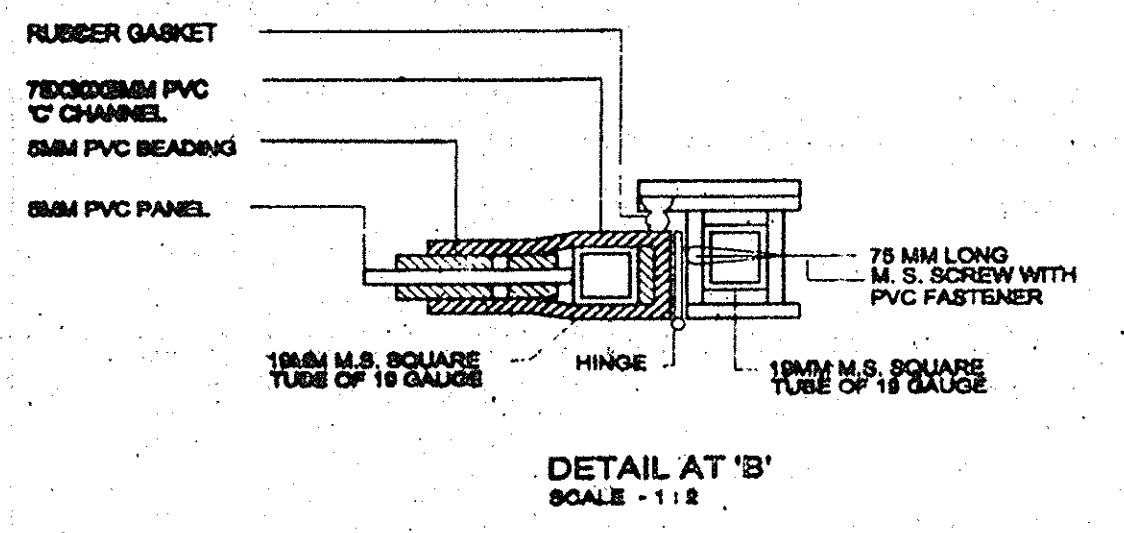
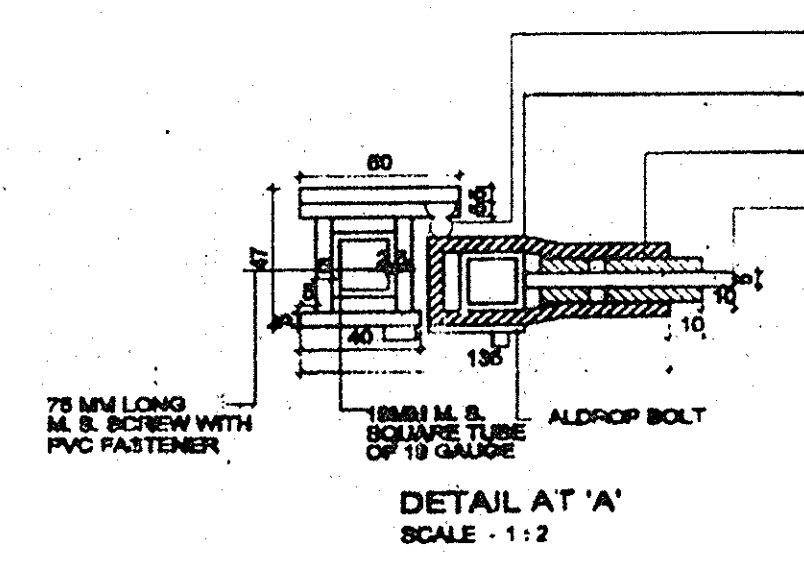
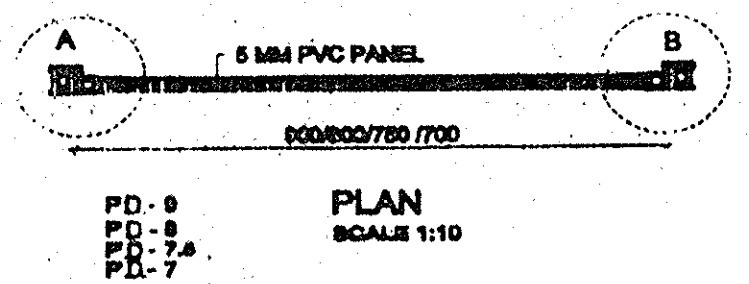
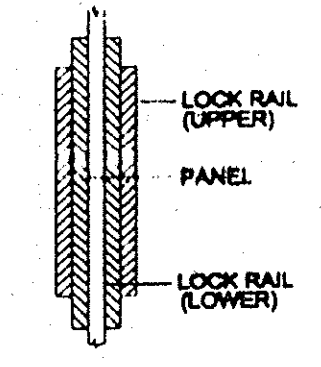
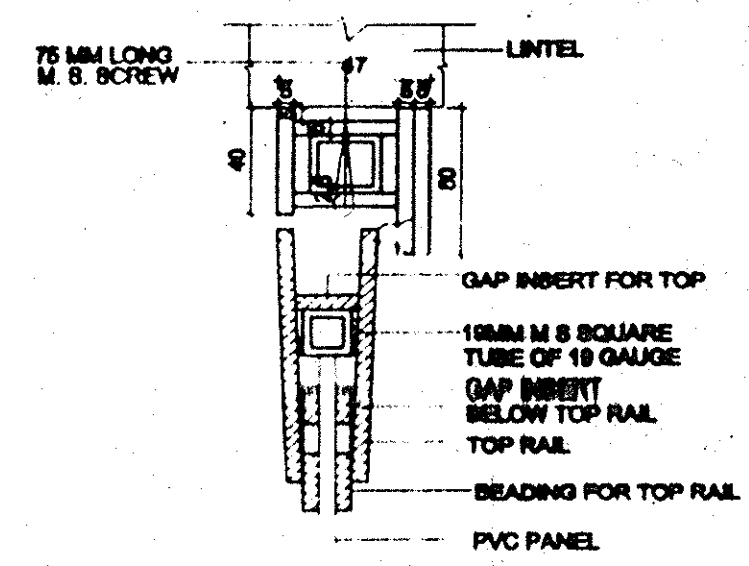
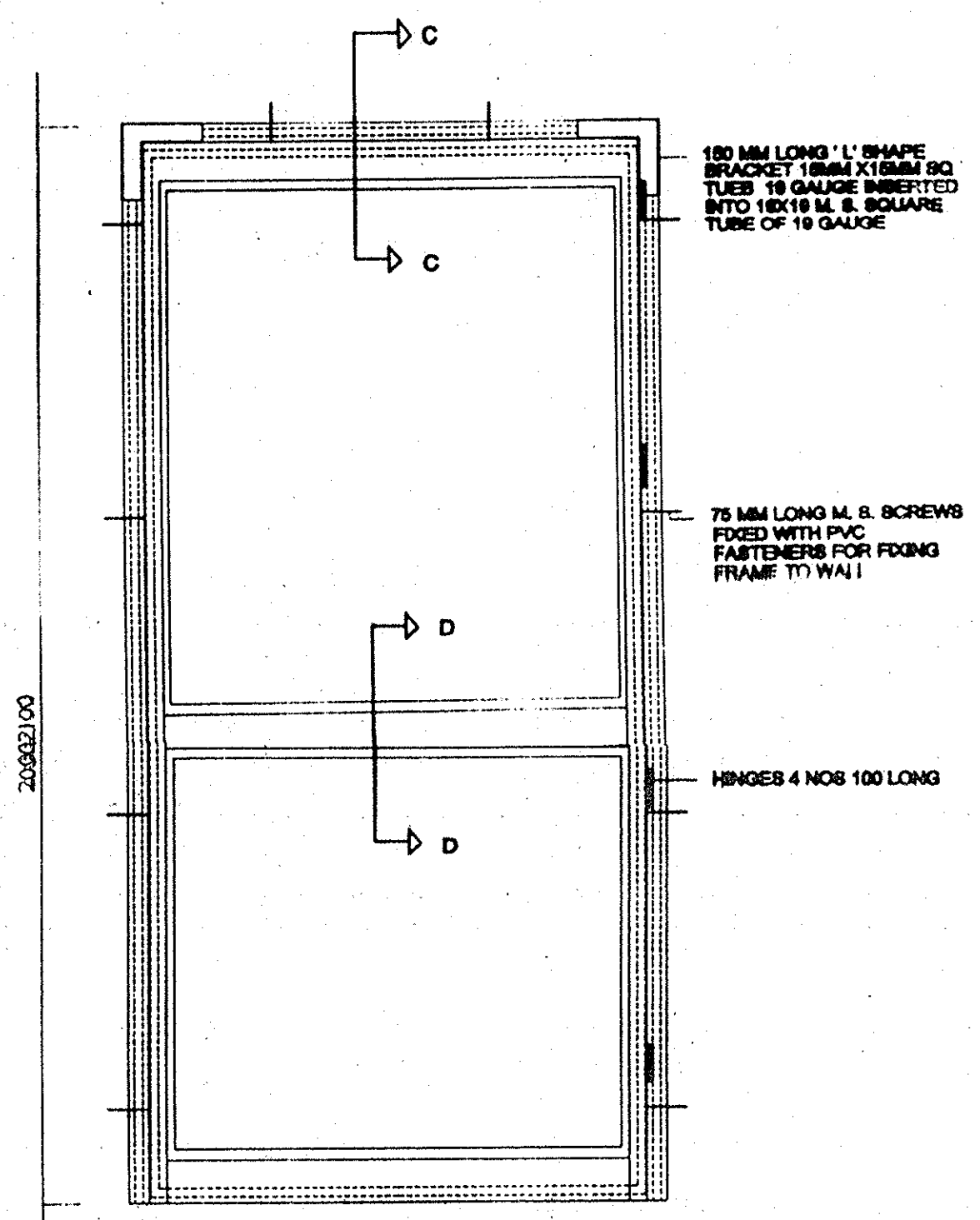


SCHEDULE OF IRON MONGERY FOR EACH DOOR							
SL NO	TYPE OF DOORS	BUTT HINGE 100 MM LONG	BARREL BOLT 180MM LONG	BOW HANDLE 150MM LONG 'D' TYPE	16 MM Ø ALDROP BOLT 250MM LONG	'L' SHAPE BRACKET 150MM LONG (15 X 15 MM SQ TUBE OF 19 GAUGE)	REMARKS
1	PD - 8, PD - 8 PC - 7.8, PD - 7	4	2	2	1	2	

- DRG NO.: CEPZ/2005/ TD/03 SH No: 1/1
- NOTES:-
- CONTRACTOR TO CHECK AND VERIFY ALL DIMENSIONS BEFORE EXECUTION OF THE WORKS.
 - FIGURE DIMENSION SHALL BE FOLLOWED
 - ALL DIMENSIONS ARE GIVEN IN MILIMETERS UNLESS OTHERWISE STATED.
 - IRON MONGERY SHALL BE ALUMINIUM ANODISED EXCEPT BUTT HINGES WHICH SHALL BE OF COLD ROLLED M.S. OR AS SPECIFIED IN THE TENDER DOCUMENTS .
 - PVC SHEETS SHALL BE SCALED WITH SOLVENT CEMENT (PVC PIPE JOINING ADHESIVE)
 - PANEL SHALL BE OF SINGLE 5MM SOLID THICK PVC SHEET (ONE PIECE).
 - PVC DOOR SHOWN HERE IN THIS DRG CONFIRMS TO IS-4020-1994 .
 - ALL THE DETAILS OF PVC DOOR SHOWN IN THIS DRG ARE AS PER THE INFORMATION GIVEN BY RAJSHRI PLASTI WOOD LTD INDORE (MP).
 - PVC DOOR FRAME SHALL BE FIXED TO WALL USING 75MM LONG M.S. SCREWS THROUGH THE FRAME BY USING PVC FASTENER.
 - COLOUR FOR THE PVC SHEET ,PVC PANEL, RUBBER GASKET, ETC TO BE FINALISED BY ENGINEER -IN- CHARGE



SNO	DATE	DESCRIPTION	INITIAL
REVISION			
PVC DOOR WITH PVC FRAME			

PLAN, ELEVATION & DETAILS

DRN: BTF	CHIEF ENGINEER	DATE 8/12/2005
TCO:	PUNE ZONE	SCALE AS SHOWN
CO: R. RAMA MOHINI	PUNE	
CKD:		

R. Rama Mohini
AADSARCH)

ARCHITECT

DIRECTOR (ARCH)
FOR CHIEF ENGINEER

DRG NO. CEPZ/2005/ TD/ 03 1/1